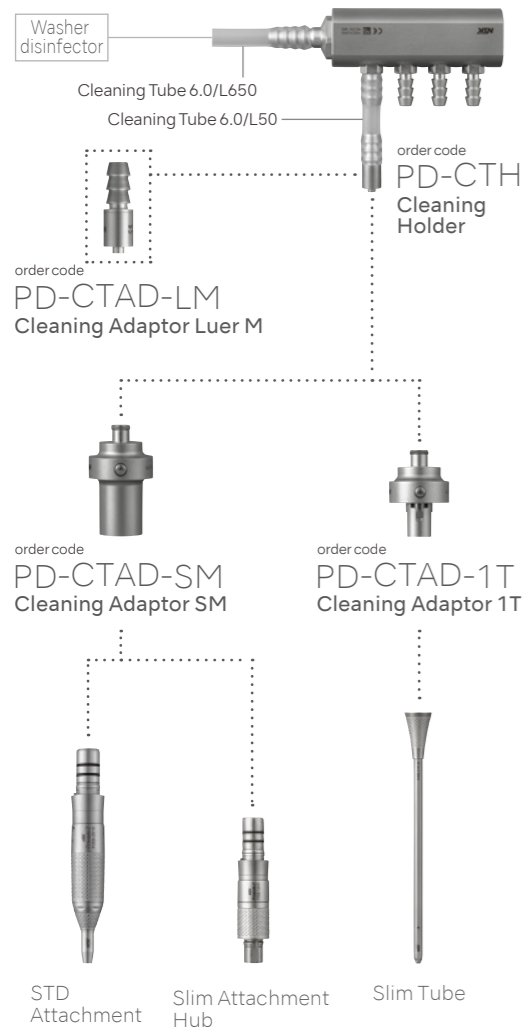
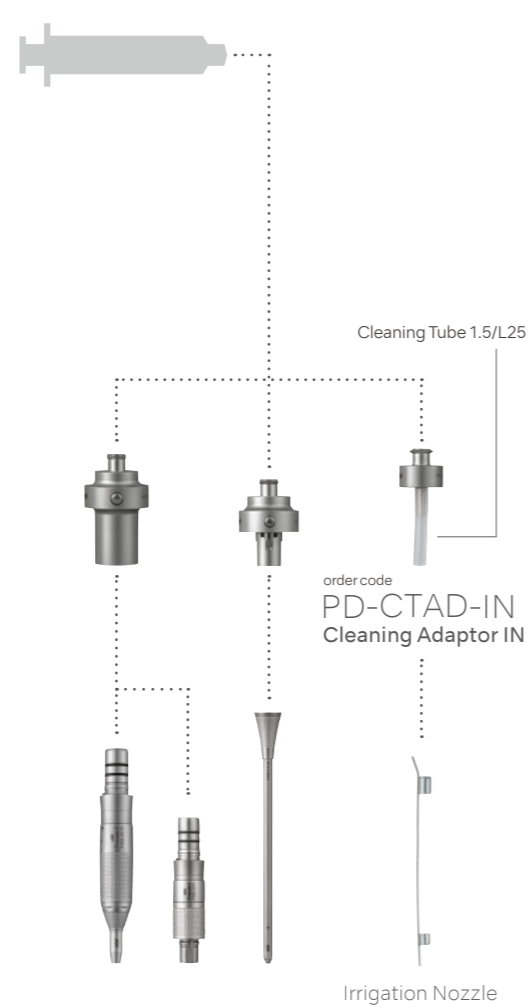


# Cleaning Tool

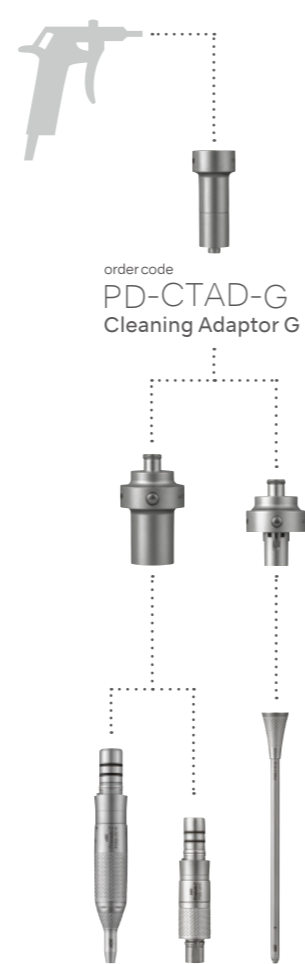
## For automated cleaning



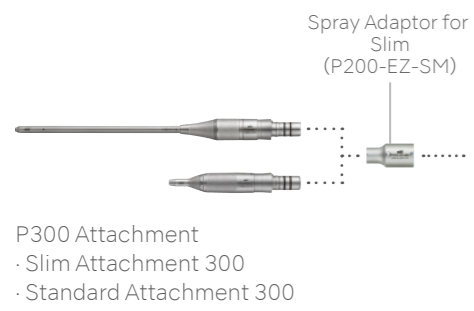
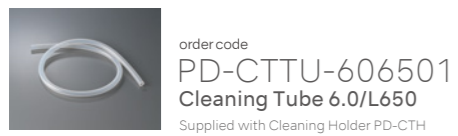
## For manual cleaning



## For drying



## Cleaning Tube



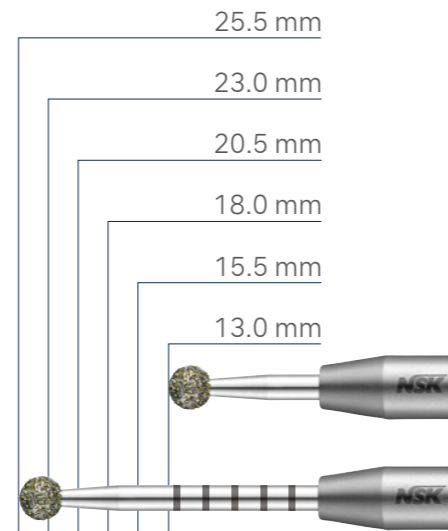
**Primado 2**  
Standard Attachment 300

# Standard Attachment 300 80,000min<sup>-1</sup>

Standard Attachment 300 is designed with new features to deliver improved visibility, smooth operation, safety, and stable rotation performance.

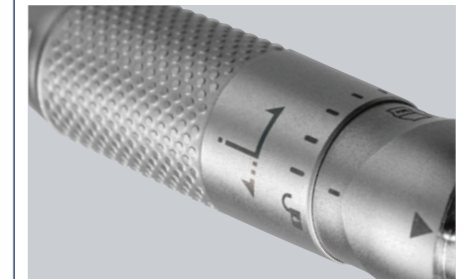
## Variable Exposure

- Adjustable exposure lengths of 13.0/15.5/18.0/20.5/23.0/25.5mm by Twist Collet Operation



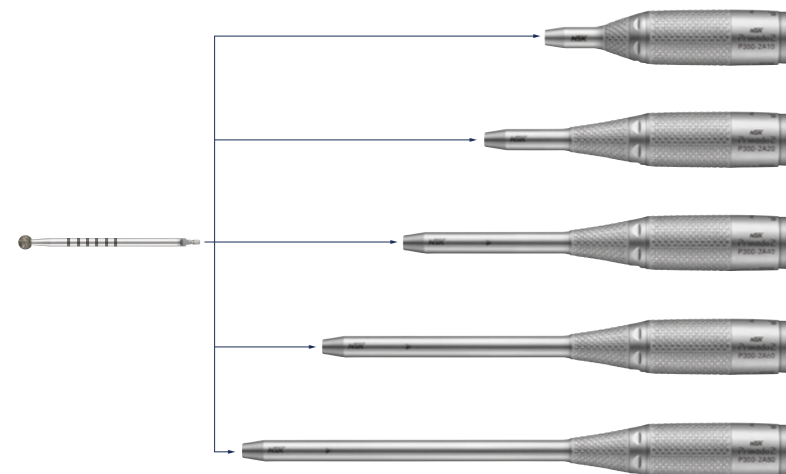
## Easy Twist Collet Operation

- Bur mounting/removing and variable exposure



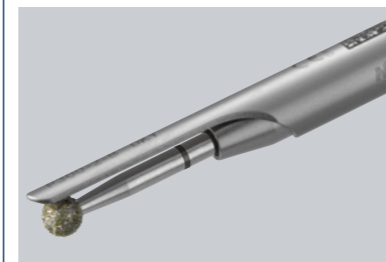
## Universal Bur Length System

- One bur size fits all lengths of Attachment
- Easier management in operating room



## Accessory

- Can slide onto the attachment



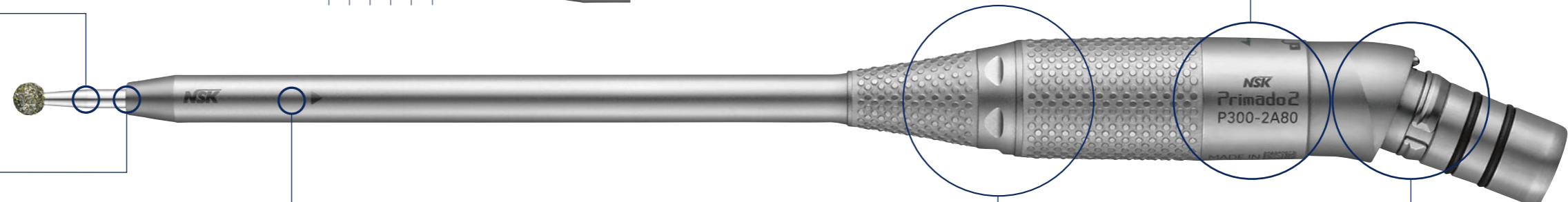
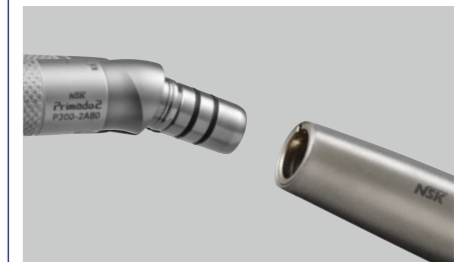
## Non-Slip Surface

- Improved grip with surface etching



## Smooth Connection

- Quick Joint allows for an easy attachment-motor connection



## Compatible with Primado 2 Control Unit and Slim Motor



order code  
**P200-CU-230**  
Primado2 Control Unit for 230V



order code  
**FC-73/FC-74**  
Primado2 Single Foot Control  
Primado2 Multi Foot Control



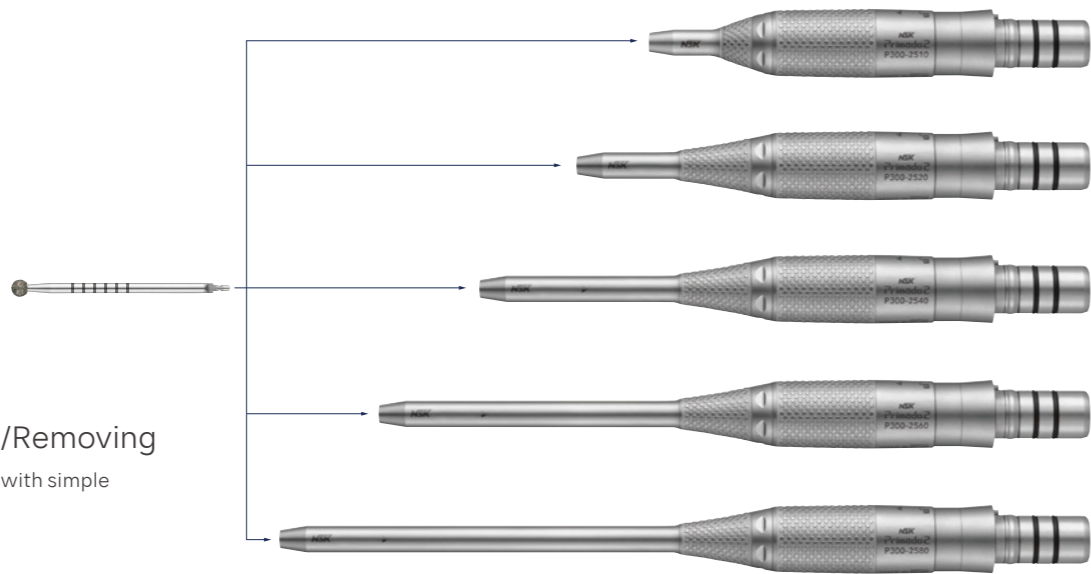
order code  
**P200-SMH-HS**  
Primado2 Slim Motor/HS  
· Hand Control Motor  
· Speed : Max. 80,000 min<sup>-1</sup>

order code  
**P200-SMH**  
Primado2 Slim Motor  
· Speed : Max. 80,000 min<sup>-1</sup>

# Universal Bur Length System

## Integration

One bur size fits all lengths of Attachment.

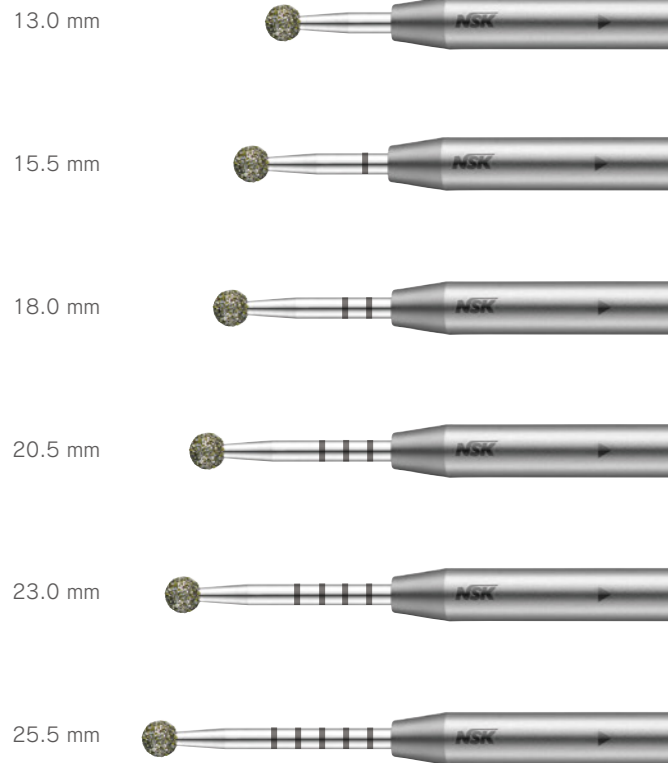


## Simple Bur Mounting/Removing

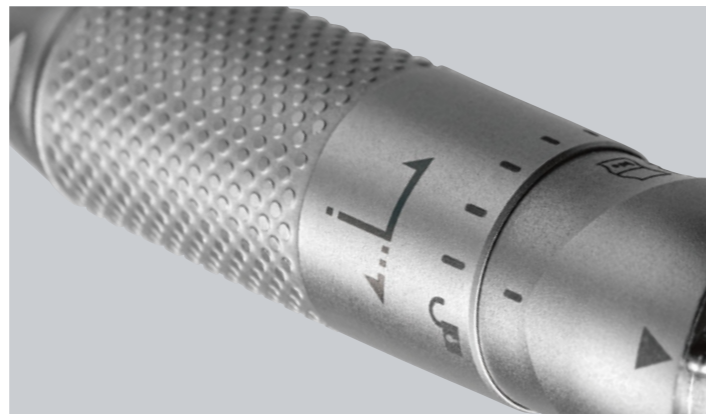
The bur can be loaded/removed with simple Twist Collet Operation.

## Variability

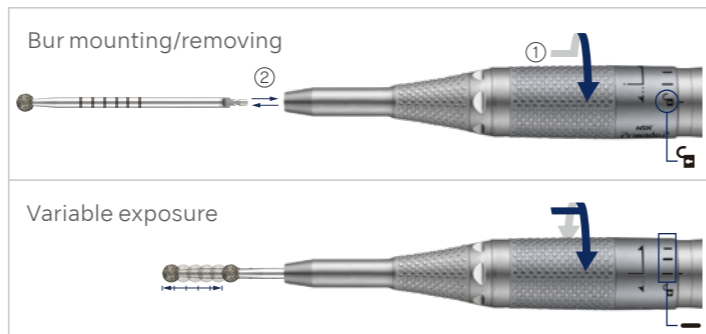
(by 2.5mm : 13.0/15.5/18.0/20.5/23.0/25.5mm)



Exposure length (6 steps) is controlled by operating the Twist Collet on the attachment. This allows for variable exposure without having to handle/change the bur.

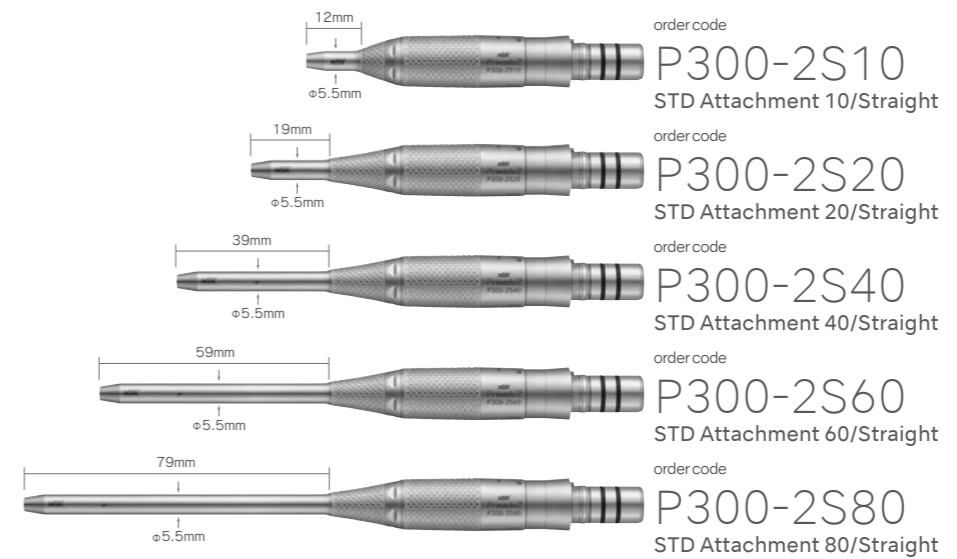


## Easy Twist Collet Operation

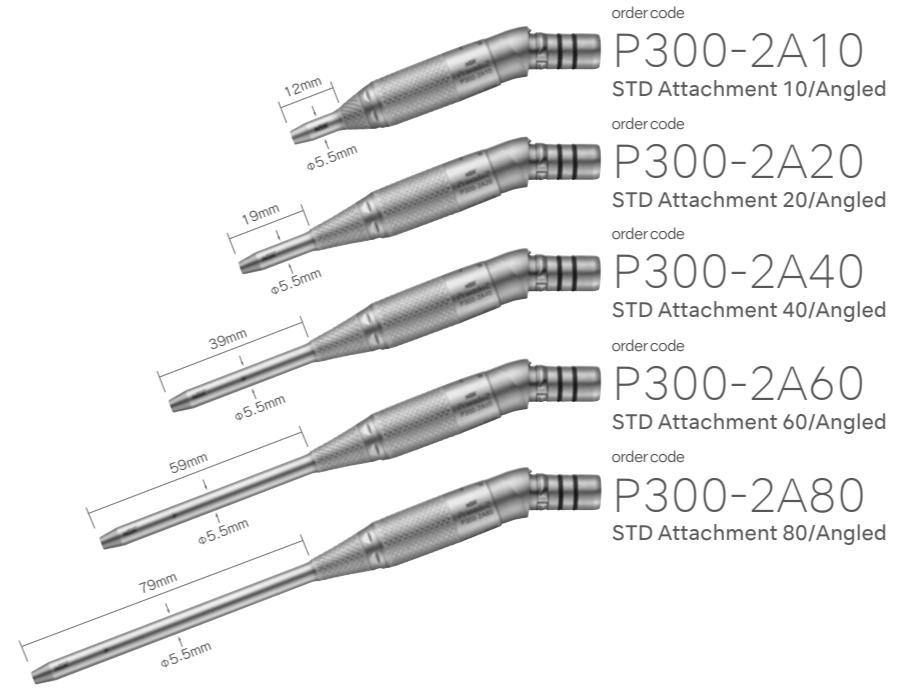


# Lineup

## Straight



## Angled

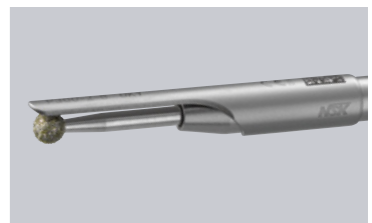


## Accessory



order code  
**P300-2-B**  
STD Attachment Beak

\*Cannot be used with the Irrigation Nozzle.



## Irrigation Nozzle



order code  
**PD-IN-D**  
For P300-2S10/P300-2A10/  
P300-2S20/P300-2A20






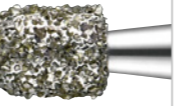









order code  
**PD-IN-2ES**  
For P300-2S40/P300-2A40

order code  
**PD-IN-2S**  
For P300-2S60/P300-2A60

order code  
**PD-IN-2M**  
For P300-2S80/P300-2A80



# Cutting Accessories for Standard Attachment 300

Cutting Accessories										Accessory	STD Attachment
									Head size		
order code	order code	order code	order code	order code	order code	order code	order code	order code	● (mm) Actual size		
—	PDS-2RDUL-06	—	—	—	—	—	—	—	● 0.6		Straight
PDS-2RFUL-10	—	PDS-2RCDUL-10	—	—	—	—	—	PDS-2WUL-10	● 1.0		 order code P300-2S10 STD Attachment 10/Straight
—	—	—	—	—	—	—	—	PDS-2WUL-12	● 1.2		 order code P300-2S20 STD Attachment 20/Straight
—	—	—	—	—	—	—	PDS-2RUL-13	—	● 1.3		 order code P300-2S40 STD Attachment 40/Straight
PDS-2RFUL-15	—	PDS-2RCDUL-15	—	—	—	—	—	PDS-2WUL-15	● 1.5		 order code P300-2S60 STD Attachment 60/Straight
PDS-2RFUL-20	PDS-2RDUL-20	PDS-2RCDUL-20	—	—	PDS-2MHCDUL-20	—	—	—	● 2.0		 order code P300-2S80 STD Attachment 80/Straight
PDS-2RFUL-25	PDS-2RDUL-25	PDS-2RCDUL-25	—	—	—	—	—	—	● 2.5		
PDS-2RFUL-30	PDS-2RDUL-30	PDS-2RCDUL-30	PDS-2RECDUL-30	PDS-2RSCDUL-30	PDS-2MHCDUL-30	—	—	—	● 3.0		
PDS-2RFUL-35	PDS-2RDUL-35	—	—	—	—	—	—	—	● 3.5		
PDS-2RFUL-40	PDS-2RDUL-40	PDS-2RCDUL-40	PDS-2RECDUL-40	PDS-2RSCDUL-40	PDS-2MHCDUL-40	—	—	—	● 4.0		
PDS-2RFUL-50	PDS-2RDUL-50	PDS-2RCDUL-50	PDS-2RECDUL-50	PDS-2RSCDUL-50	—	PDS-2AUL-50	—	—	● 5.0	—	
PDS-2RFUL-60	—	PDS-2RCDUL-60	PDS-2RECDUL-60	PDS-2RSCDUL-60	—	PDS-2AUL-60	—	—	● 6.0		
PDS-2RFUL-70	—	PDS-2RCDUL-70	PDS-2RECDUL-70	—	—	—	—	—	● 7.0		
—	—	—	—	—	—	PDS-2AUL-75	—	—	● 7.5		
—	—	—	—	—	—	—	—	—	● 7.5		

\*The exposure length of these burs are not adjustable.